

B35X-7

Mast type	Maximum Fork Height	Maximum Lowered Height	Fully Extended Height	Free Lift	Rated Load Capacities					
					B35X-7					
					Tilt Angle				Load Capacities	
					Single Pneu.		Single Solid		Single Pneu	Single Solid
				FWD	BWD	FWD	BWD	LC500mm	LC500mm	
	mm	mm	mm	mm	deg	deg	deg	deg	kg	kg
STD	2.720	2.020	3.970	152	6	9	6	9	3.500	3.500
	3.000	2.160	4.250	152	6	9	6	9	3.500	3.500
	3.495	2.410	4.750	152	6	9	6	9	3.500	3.500
	3.655	2.560	4.905	152	6	9	6	9	3.500	3.500
	3.805	2.635	5.055	152	6	9	6	9	3.500	3.500
FF	2.720	2.020	3.970	820	6	5	6	9	3.500	3.500
	3.000	2.160	4.250	960	6	5	6	9	3.500	3.500
	3.495	2.410	4.745	1.210	6	5	6	9	3.500	3.500
FFT	3.555	1.885	4.805	685	6	9	6	9	3.400	3.400
	3.960	2.020	5.210	820	6	9	6	9	3.400	3.400
	4.380	2.160	5.630	960	6	9	6	9	3.300	3.400
	4.820	2.330	6.070	1.130	6	5	6	9	3.175	3.400
	5.205	2.510	6.455	1.310	6	5	6	9	2.575	3.300
	5.655	2.660	6.905	1.460	6	5	6	5	2.000	3.200

Note: These load capacities are based on the standard chassis without side shifter.

Specification values quoted in this catalog have been rounded.
 Products and specifications are subject to improvement and change without notice.
 Performance may vary due to operating conditions.
 The performance shown represents nominal values obtained under typical operating conditions.



B25X-7/B25XL-7 / B30X-7 / B35X-7

7-SERIES FORKLIFTS

Electric 2.5 to 3.5 ton capacity



B25X7-181116ENV2 (November 2018)

Authorized Dealer



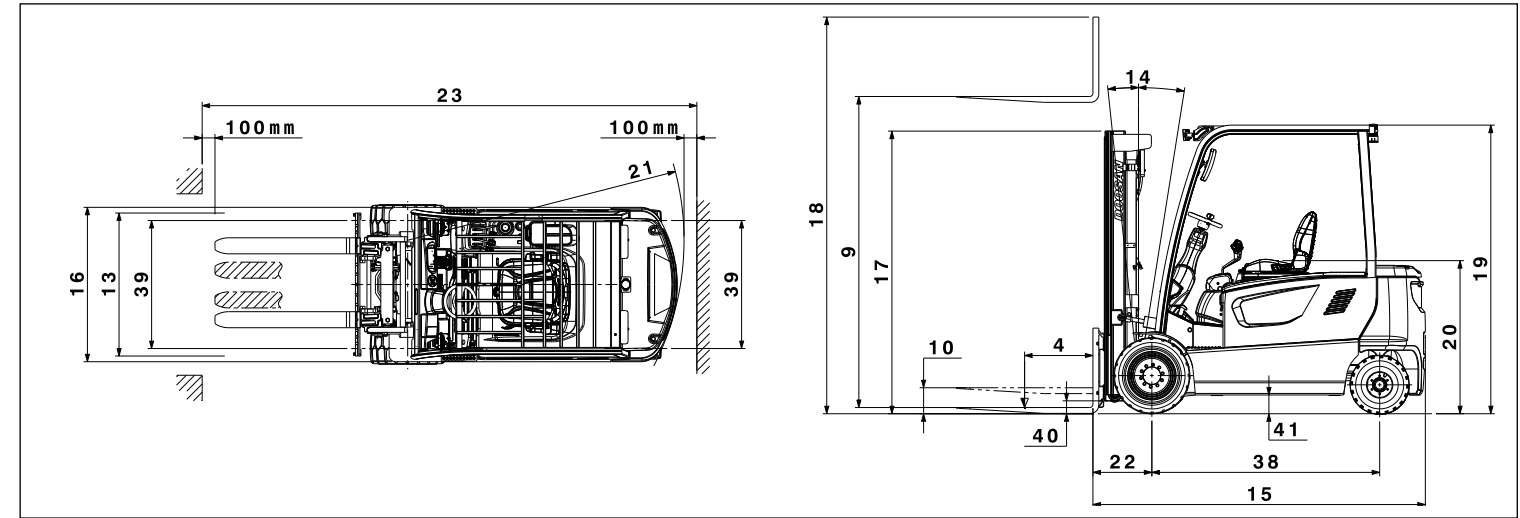
Doosan Industrial Vehicle Europe nv

Europark-Noord 36A
 9100 Sint-Niklaas
 Belgium

Tel.: +32 3 760 09 87
 Fax: +32 3 760 09 89
 Website: www.doosan-iv.eu

Technical Data according to VDI 2198

DIMENSIONAL DRAWING



MAST SPECIFICATIONS and RATED CAPACITIES

B22X-7, B25X-7, B25XL-7

Mast type	Maximum Fork Height	Maximum Lowered Height	Fully Extended Height	Free Lift	Rated Load Capacities							
					B22X-5, B25X-7, B25XL-7				B22X-7		B25X-5, B25XL-7	
					Tilt Angle				Load Capacities		Load Capacities	
					Single Pneu.		Single Solid		Single Pneu.	Single Solid	Single Pneu.	Single Solid
	FWD	BWD	FWD	BWD	LC500mm	LC500mm	LC500mm	LC500mm				
	deg	deg	deg	deg	kg	kg	kg	kg				
STD	2,950	2,020	4,200	147	6	9	6	9	2,200	2,200	2,500	2,500
	3,230	2,160	4,480	147	6	9	6	9	2,200	2,200	2,500	2,500
	3,500	2,410	4,755	147	6	9	6	9	2,200	2,200	2,500	2,500
	3,800	2,560	5,055	147	6	9	6	9	2,200	2,200	2,500	2,500
	3,950	2,635	5,205	147	6	9	6	9	2,200	2,200	2,500	2,500
	4,350	2,835	5,605	147	6	9	6	9	2,200	2,200	2,500	2,500
FF	2,950	2,020	4,200	815	6	9	6	9	2,200	2,200	2,500	2,500
	3,230	2,160	4,480	955	6	9	6	9	2,200	2,200	2,500	2,500
	3,600	2,410	4,855	1,205	6	9	6	9	2,200	2,200	2,500	2,500
FFT	3,900	1,860	5,155	655	6	9	6	9	2,200	2,200	2,500	2,500
	4,290	1,995	5,560	790	6	9	6	9	2,200	2,200	2,500	2,500
	4,730	2,135	5,980	930	6	9	6	9	2,150	2,175	2,475	2,500
	4,805	2,160	6,055	955	6	9	6	9	2,150	2,175	2,450	2,475
	5,560	2,485	6,805	1,280	6	5	6	9	2,000	2,025	2,275	2,325
	6,010	2,635	7,255	1,430	6	5	6	9	1,875	1,950	1,700	2,250

B30X-7

Mast type	Maximum Fork Height	Maximum Lowered Height	Fully Extended Height	Free Lift	Rated Load Capacities					
					B30X-7					
					Tilt Angle				Load Capacities	
					Single Pneu.		Single Solid		Single Pneu.	Single Solid
	FWD	BWD	FWD	BWD	LC500mm	LC500mm				
	deg	deg	deg	deg	kg	kg				
STD	2,950	2,020	4,200	152	6	9	6	9	3,000	3,000
	3,230	2,160	4,480	152	6	9	6	9	3,000	3,000
	3,500	2,410	4,755	152	6	9	6	9	3,000	3,000
	3,800	2,560	5,055	152	6	9	6	9	3,000	3,000
	3,950	2,635	5,205	152	6	9	6	9	3,000	3,000
	4,350	2,835	5,605	152	6	9	6	9	2,950	2,975
FF	2,950	2,020	4,200	820	6	9	6	9	3,000	3,000
	3,230	2,160	4,480	960	6	9	6	9	3,000	3,000
	3,600	2,410	4,855	1,210	6	9	6	9	3,000	3,000
FFT	3,900	1,885	5,155	685	6	9	6	9	2,900	2,900
	4,290	2,020	5,560	820	6	9	6	9	2,900	2,900
	4,730	2,160	5,980	960	6	9	6	9	2,850	2,875
	4,805	2,185	6,055	985	6	9	6	9	2,850	2,875
	5,560	2,510	6,805	1,310	6	5	6	9	2,300	2,700
	6,010	2,660	7,255	1,460	6	5	6	5	1,775	2,600

Characteristics	1.1		Manufacturer	Doosan	Doosan	Doosan	Doosan	Doosan	
				Doosan	Doosan	Doosan	Doosan	Doosan	Doosan
			Model	B22X-7	B25X-7	B25XL-7	B30X-7	B35X-7	
			Drive	AC Electric	AC Electric	AC Electric	AC Electric	AC Electric	
			Operator type	Driver Seated	Driver Seated	Driver Seated	Driver Seated	Driver Seated	
		Q	Load Capacity	2,200	2,500	2,500	3,000	3,500	
		c	Load Center	500	500	500	500	500	
		x	Load Distance: Center of Drive axle to fork	448	448	448	454	454	
		y	Wheelbase	1,589	1,589	1,734	1,734	1,750	
Weight		kg	Service weight with min. weight of battery	4,419	4,623	4,728	5,068	5,486	
		kg	Axle loading, loaded, front/rear	5,807/810	6,275/848	6,312/935	7,253/837	7,996/1,013	
		kg	Axle loading, unloaded, front/rear	2,294/2,125	2,284/2,339	2,391/2,337	2,547/2,521	2,532/2,954	
Tyres			Tyres: pneumatic (P), solid (E), cushion (C)	P, E	P, E	P, E	P, E	P, E	
			Tyre size. Front	23x10-12	23x10-12	23x10-12	23x10-12	23x10-12	
			Tyre size. Rear	18x7-8	18x7-8	18x7-8	18x7-8	18x7-8	
			Wheels. number Front/Rear (x = driven wheels)	2x/2	2x/2	2x/2	2x/2	2x/2	
		b11	mm	Tread. Front	998	998	998	998	998
		b12	mm	Tread. Rear	998	998	998	998	998
				Tilt of Mast/Fork carriage Forward/Backward	6/9	6/9	6/9	6/9	6/9
Dimensions		h1	mm	Height. Mast lowered	2,160	2,160	2,160	2,160	2,160
		h2	mm	Free Lift	147	147	147	152	152
		h3	mm	Maximum Fork Height	3,230	3,230	3,230	3,230	3,000
		h4	mm	Height. Mast Extended	3,990	3,990	3,990	3,990	3,760
		h6	mm	Height of Overhead Guard (Cabin)	2,185	2,185	2,210	2,210	2,210
		h7	mm	Height of Seat	1,070	1,070	1,070	1,070	1,070
		l1	mm	Overall Length	3,379	3,379	3,524	3,530	3,614
		l2	mm	Length to Forkface	2,329	2,329	2,474	2,480	2,564
		b1/b2	mm	Overall Width	1,245	1,245	1,245	1,245	1,245
		s/e/l	mm	Fork Dimensions	40x100x1,050	40x100x1,050	40x100x1,050	45x125x1,050	45x125x1,050
				Fork carriage ISO 2328. class	II	II	II	III	III
		b3	mm	Fork carriage width	1,103	1,103	1,103	1,103	1,103
		m1	mm	Ground Clearance. loaded. below mast	130	130	130	130	130
		m2	mm	Ground Clearance. center of wheelbase	140	140	140	140	140
		Ast	mm	Aisle width for pallets 1.000 x 1.200 crossways	3,620	3,620	3,766	3,772	3,810
		Ast	mm	Aisle width for pallets 800 x 1.200 lengthways	3,799	3,799	3,944	3,950	4,010
		Wa	mm	External Turning Radius	1,950	1,950	2,095	2,095	2,155
	b13	mm	Internal Turning Radius	348	348	340	340	340	
Performance data		km/h	Travel Speed. loaded/unloaded	16/18	16/18	16/18	16/18	16/18	
		m/s	Lift Speed. loaded/unloaded	0.50/0.60	0.48/0.60	0.48/0.60	0.42/0.60	0.38/0.60	
		m/s	Lowering Speed. loaded/unloaded	0.49/0.46	0.49/0.46	0.49/0.46	0.49/0.46	0.50/0.46	
		N	Max. Drawbar pull. loaded/unloaded	17,338/16,426	17,338/16,426	17,338/16,426	17,338/16,426	17,338/16,426	
		%	Max. Gradeability. loaded/unloaded	27/40	25/38	25/38	22/34	20/31	
			Service Brake	hydraulic	hydraulic	hydraulic	hydraulic	hydraulic	
Electric Engine		kW	Drive motor S2 60 min	10.0 x 2	10.0 x 2	10.0 x 2	10.0 x 2	10.0 x 2	
		kW	Lift motor rating at S3 15%	21	21	21	21	21	
		mm	Battery Compartment	1,040 x 720 x 805		1,040 x 865 x 805			
		V/Ah	Battery voltage, nominal capacity K5	80/500	80/500	80/600	80/600	80/600	
		kg	Battery weight	1,560	1,560	1,870	1,870	1,870	
Addition Data			Type of drive control	MOSFET inverter					
		bar	Operating pressure for attachments	155	155	155	155	155	

Note: Specification values quoted in this specification sheet have been rounded. Performance may vary due to operation conditions. Products and specifications are subject to improvement and change without prior notices.